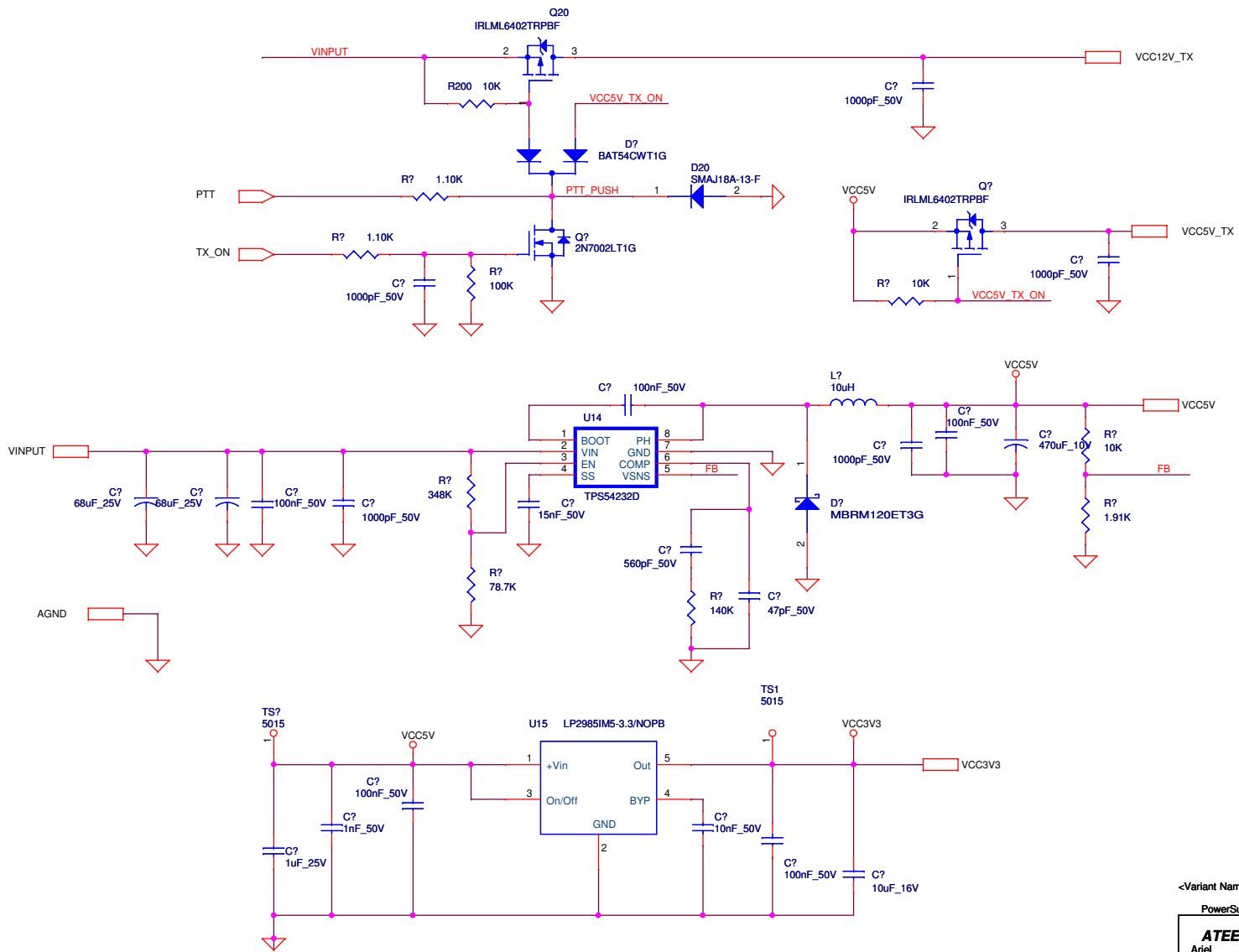


90131-0127  
 J6.2 - Alternative function, LNA Relay signal  
 J6.4 - Alternative function, PTT (active low)

<Variant Name>

TMTR	
<b>4Z5LV</b>	
Ariel ZIP 40700 P.O.B. 1900, alex@4zlv.net	
Title	
<b>TMTR</b>	
Size B	Document Number RFIF00
Date: Tuesday, May 17, 2011	Sheet 1 of 3
	Rev A



<Variant Name>

PowerSupply

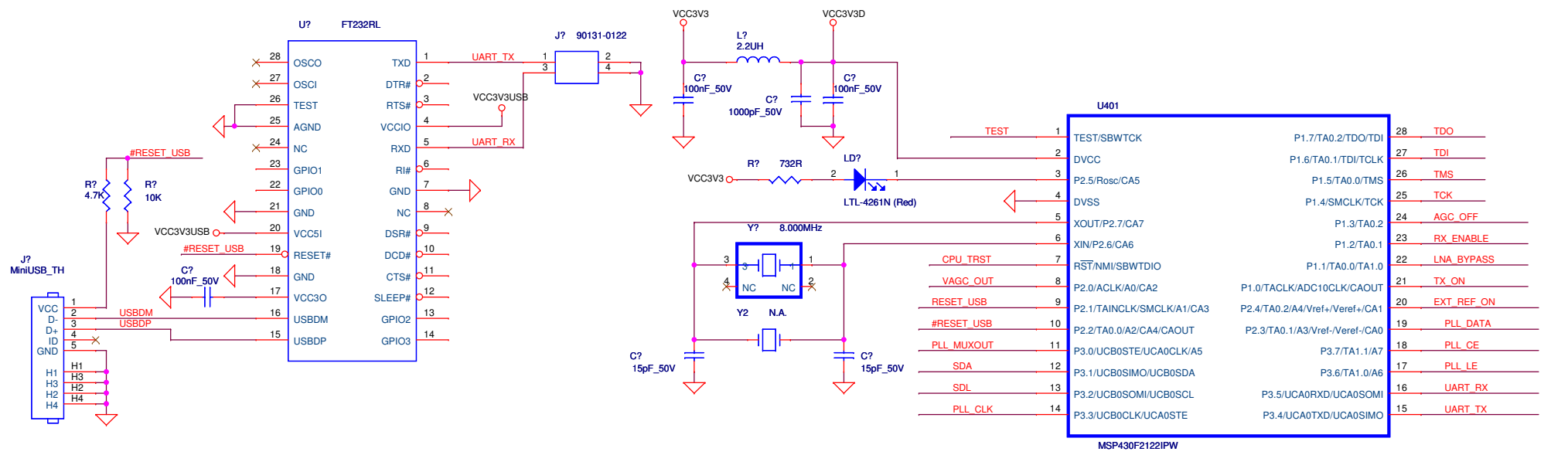
**ATECS**  
 Ariel  
 ZIP 40700 P.O.B. 1900, Tel: 972-54-7473550

Title

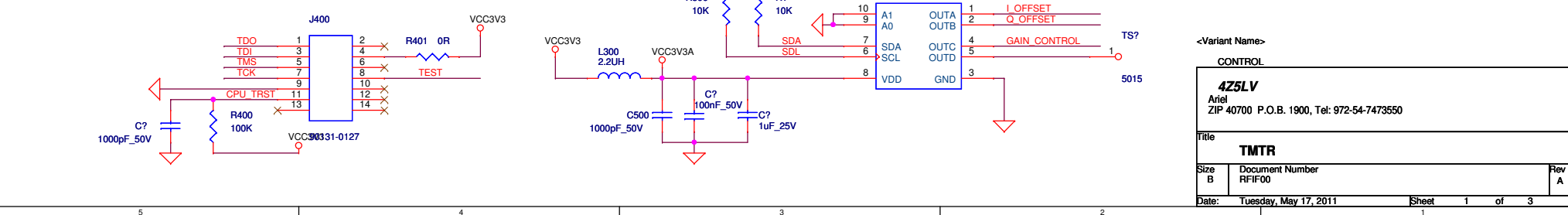
**TMTR**

Size B	Document Number RFIF00	Rev A
--------	---------------------------	----------

Date: Tuesday, May 17, 2011 Sheet 1 of 3

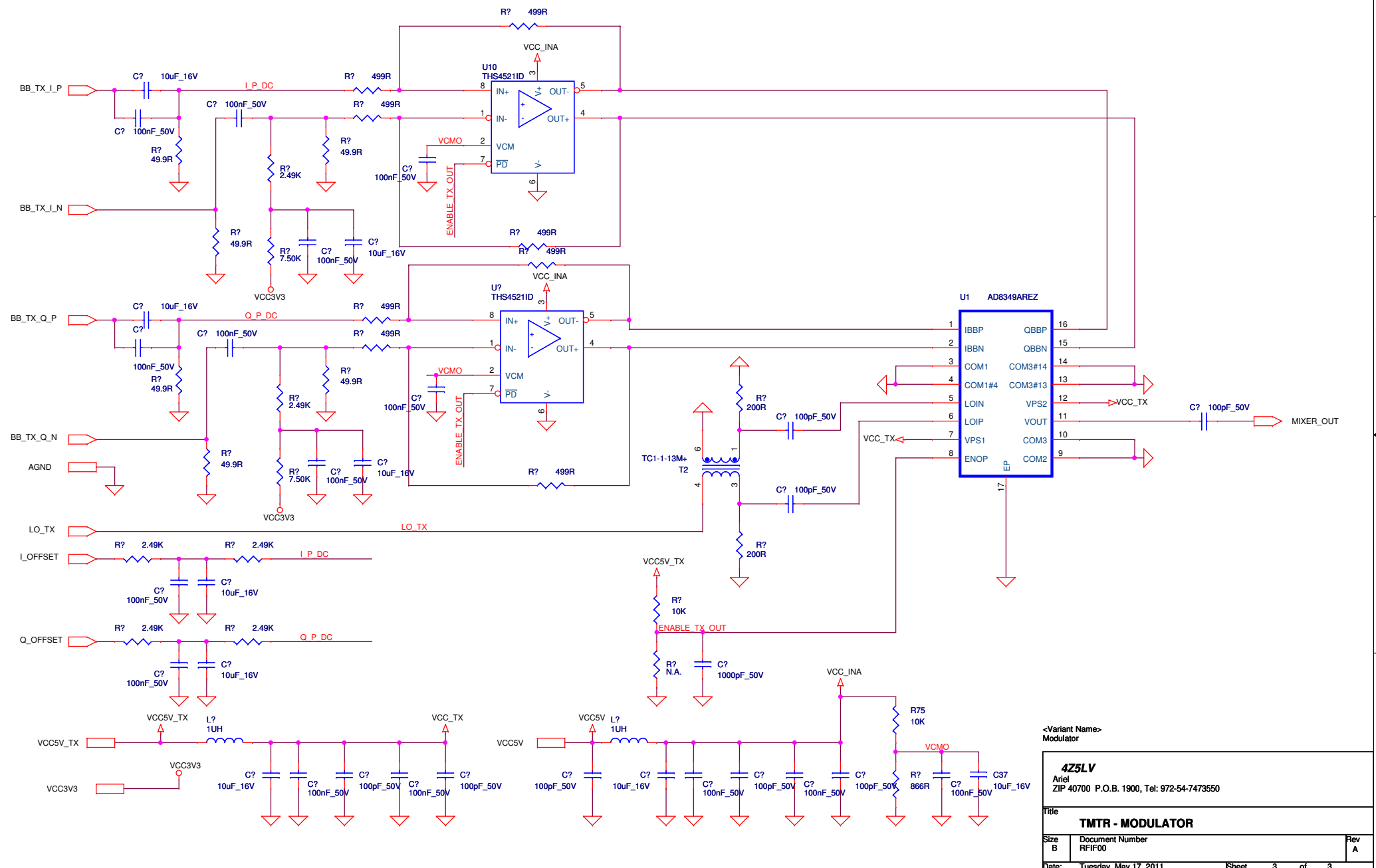


- LNA\_BYPASS → LNA\_BYPASS
- AGC\_OFF → AGC\_OFF
- GAIN\_CONTROL → GAIN\_CONTROL
- VAGC\_OUT → VAGC\_OUT
- I\_OFFSET → I\_OFFSET
- Q\_OFFSET → Q\_OFFSET
- RX\_ENABLE → RX\_ENABLE
- TX\_ON → TX\_ON
- EXT\_REF\_ON → EXT\_REF\_ON
- PLL\_MUXOUT → PLL\_MUXOUT
- PLL\_LE → PLL\_LE
- PLL\_DATA → PLL\_DATA
- PLL\_CLK → PLL\_CLK
- PLL\_CE → PLL\_CE



<Variant Name>

CONTROL	
<b>4Z5LV</b>	
Ariel ZIP 40700 P.O.B. 1900, Tel: 972-54-7473550	
Title <b>TMTR</b>	
Size B	Document Number RFIF00
Date: Tuesday, May 17, 2011	Sheet 1 of 3
	Rev A



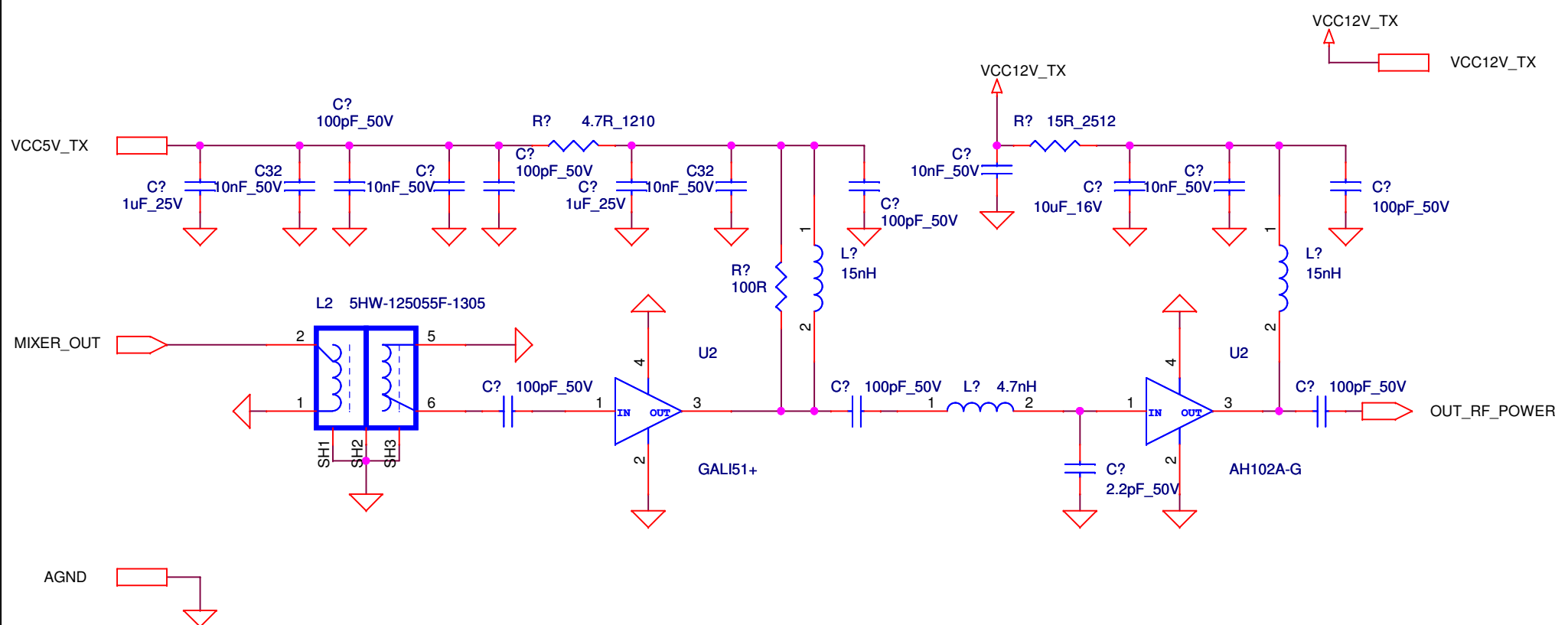
<Variant Name>  
Modulator

**4Z5LV**  
Ariel  
ZIP 40700 P.O.B. 1900, Tel: 972-54-7473550

Title  
**TMTR - MODULATOR**

Size B	Document Number RFIF00	Rev A
--------	---------------------------	----------

Date: Tuesday, May 17, 2011 Sheet 3 of 3



<Variant Name>  
RF OUTPUT AMPLIFIER

<b>ATECS</b>		
Ariel ZIP 40700 P.O.B. 1900, Tel: 972-54-7473550		
Title <b>TMTR</b>		
Size A	Document Number RFIF00	Rev A
Date: Tuesday, May 17, 2011	Sheet 3 of 3	