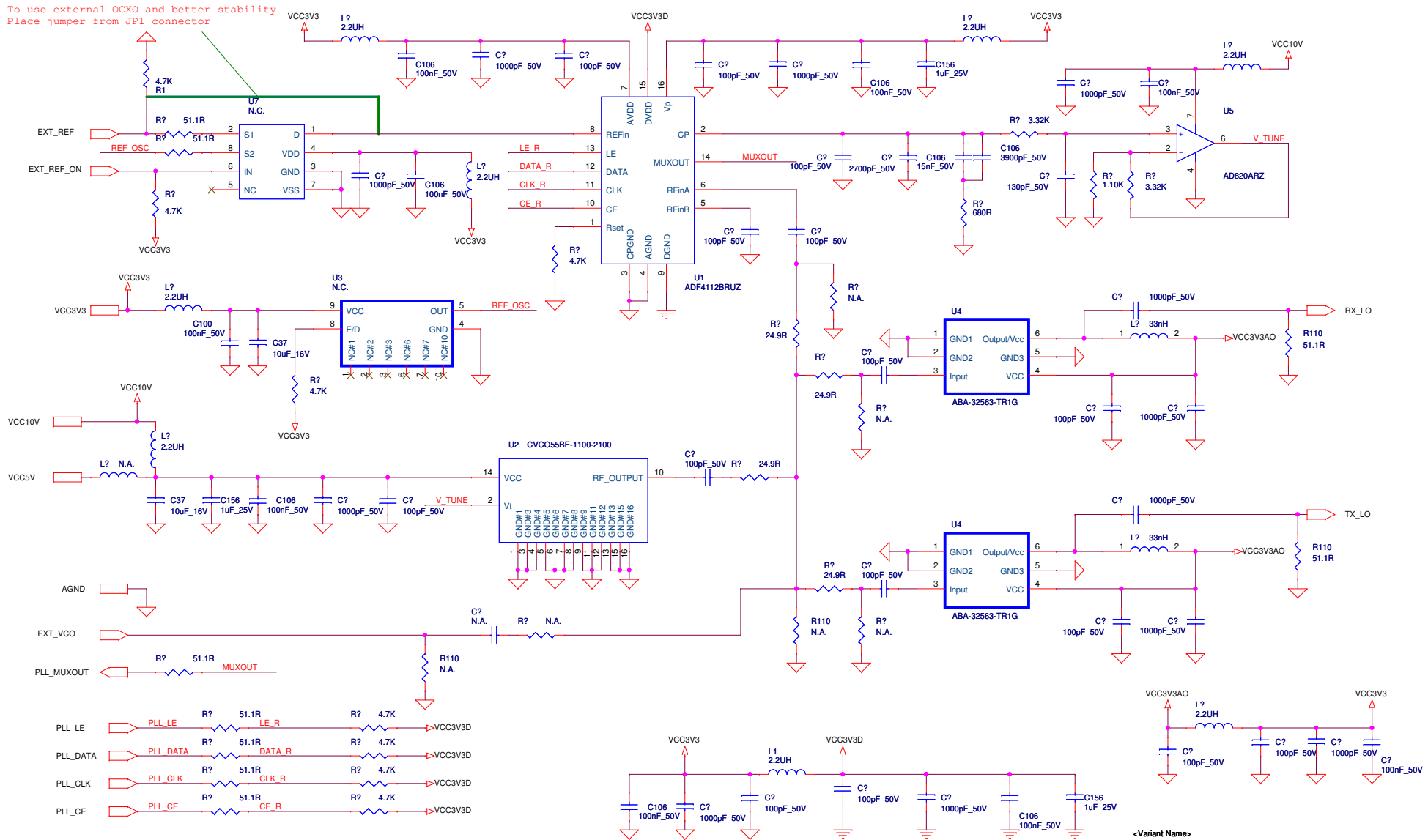


<Variant Name>

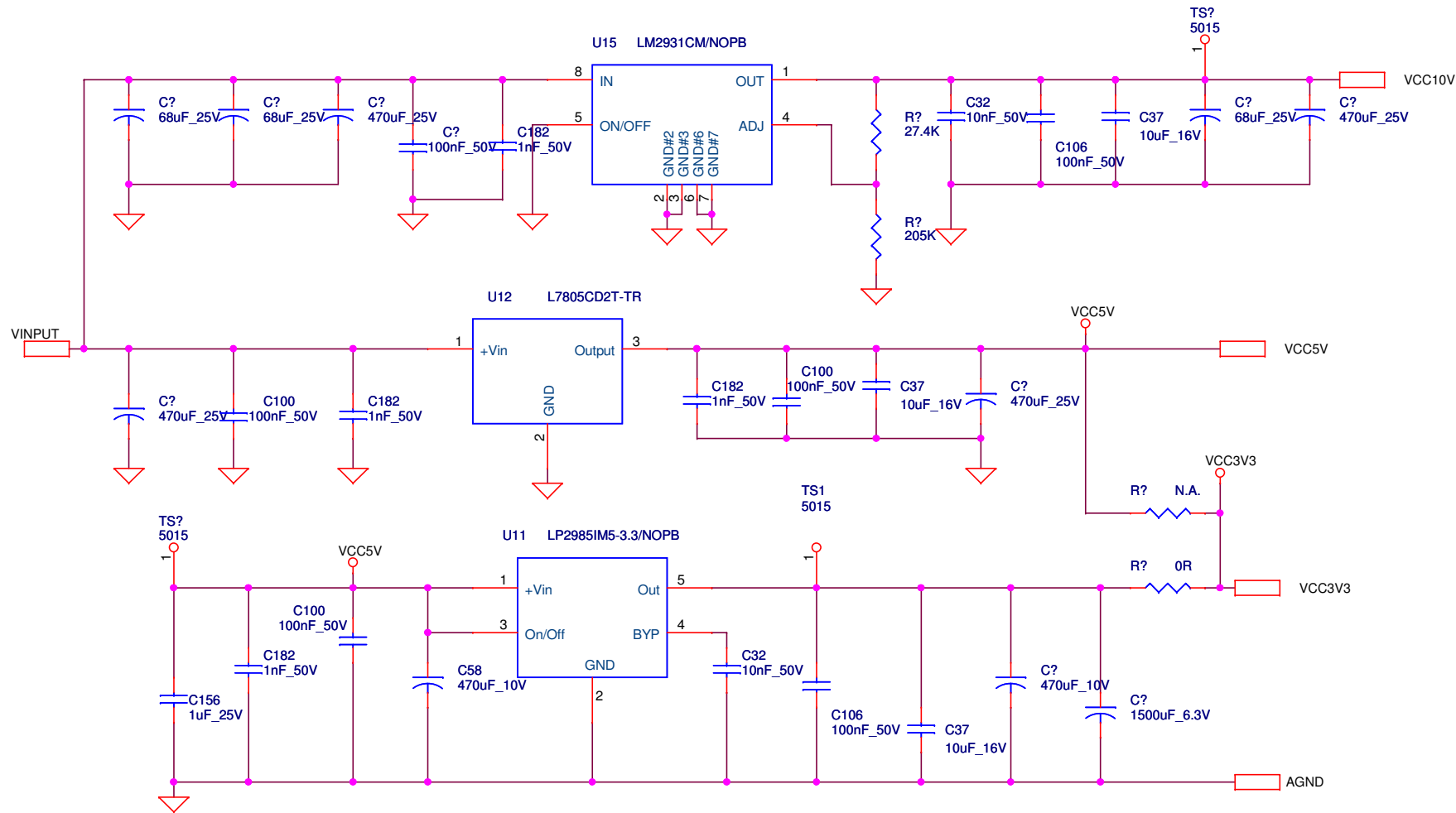
MAIN		
<b>ATECS</b>		
Ariel ZIP 40700 P.O.B. 1900, Tel: 972-54-7473550		
Title		
<b>LO PLL</b>		
Size	Document Number	Rev
A3	LOPLL00	A
Date:	Tuesday, May 17, 2011	Sheet 1 of 2

To use external OCXO and better stability  
Place jumper from JP1 connector



<Variant Name>

PLL LO		
<b>ATECS</b>		
Ariel ZIP 40700 P.O.B. 1900, Tel: 972-54-7473550		
Title <b>LO PLL</b>		
Size A3	Document Number LOPLL00	Rev A
Date: Tuesday, May 17, 2011	Sheet 1	of 2



Power Supply <Variant Name>

**ATECS**

Ariel

ZIP 40700 P.O.B. 1900, Tel: 972-54-7473550

Title

**LO PLL**

Size  
A4

Document Number  
LOPLL00

Rev  
A

Date: Tuesday, May 17, 2011

Sheet 1 of 2